

# Fortem TrueView™ R30 Radar

Uses AI-enabled algorithms for detect and avoid, beyond visual line of sight (BVLOS), and airspace awareness applications



## TRUEVIEW R30

### Powerful compact radar detection solution

- **Deploy on ground or on aircraft**
- **Powerful sensor sees day or night and in all weather conditions including smoke, clouds, and fog**
- **Effective 3D radar that can detect and track objects with precision**
- **Simple & intuitive interface provides early warning object detection options**
- **Provides the accurate location of objects at long range**

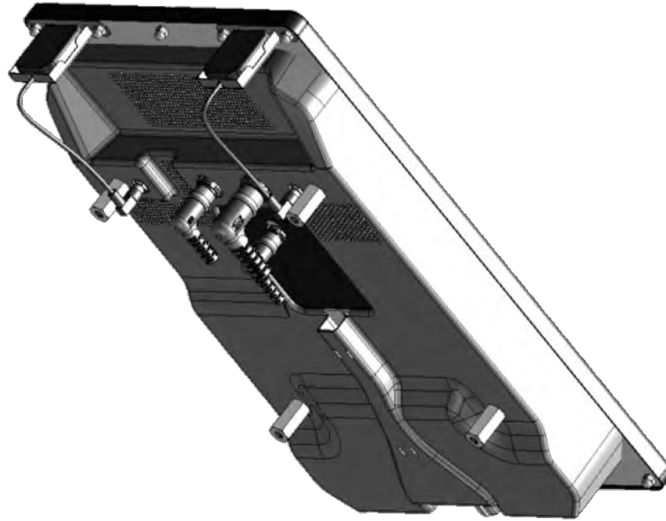
Fortem TrueView family of radar solutions are powered by machine-learning (AI) algorithms, and designed for a wide range of ground-based and airborne applications.

Designed to detect, track, and classify aerial objects and obstacles, TrueView radar provides real-time situational awareness and information for policing, enforcing, and securing any airspace. Deployed on the ground with many other R30 or R20 models, the TrueView radar detection is aggregated in real-time as part of the Fortem SkyDome™ airspace awareness and security platform. This provides a network fabric of total airspace awareness from the ground.

TrueView R30 is the longest range, field-of-view (FOV) radar of its size. The R30 enables a variety of alerts of potential threats into secure, high risk, sensitive airspaces.

Fortem's TrueView provides superior object detection, tracking, and classification capability in multiple environments. TrueView Radar is a key component in the detection and classification of objects in detect and avoid (DAA) solutions.

# Powerful Multi-Mode Radar Solution



## Small Size, Weight, Power, and Cost (SWaP-C)

The TrueView R30 is a proven, reliable and compact sensor, enabling safety and security across a wide range of airborne and ground-based applications

- Optimized Size, Weight, and Power (SWaP)
- Size: 408mm(16.06") tall x 275mm(10.83") wide x 70mm(2.76") deep
- Weight: 5.4kg(12 lb)
- Power: <100W peak (18-36VDC)

## Features

- On-board graphical user interface (GUI)
- APIs for programmatic radar control
- Ethernet output (JSON) for streaming detection & tracking data to other systems
- Integrated high-resolution electronically-steered patch antenna array
- Integrated inertial navigation system (INS) enables clutter rejection with airborne applications
- 3D radar provides accurate location of airborne objects
- Configurable to meet many environments and conditions



## Key Specifications

- 120° x 120° ±2° FOV
- Range: 6km for 1m<sup>2</sup> RCS  
2km for 0.1m<sup>2</sup> RCS
- Dynamic range resolution: 0.5m to 16m



## Detect, Track, and Classify

- Builds tracks of small objects very quickly
- Classifies birds, drones, and automobiles
- Eliminates ground clutter

Distributed in Australia by:

**Southern Cross Drones Pty Ltd**

101 Miller Street, L32, North Sydney, NSW 2060

T: 02 9953 8366 E: [info@southerncrossdrones.com](mailto:info@southerncrossdrones.com) W: [www.southerncrossdrones.com](http://www.southerncrossdrones.com)



© 2018 Fortem Technologies, Inc. TrueView™, SkyDome™, and all associated logos are trademarks of Fortem Technologies, Inc. All other product names as they appear are trademarks or registered trademarks of their respective holders. The Company shall not be liable for any errors contained herein or for any damages arising out of or related to this document or the information contained therein, even if the Company has been advised of the possibility of such damages. This document is intended for informational and instructional purposes only. The Company reserves the right to make changes in the specifications and other information contained in this document without prior notification.